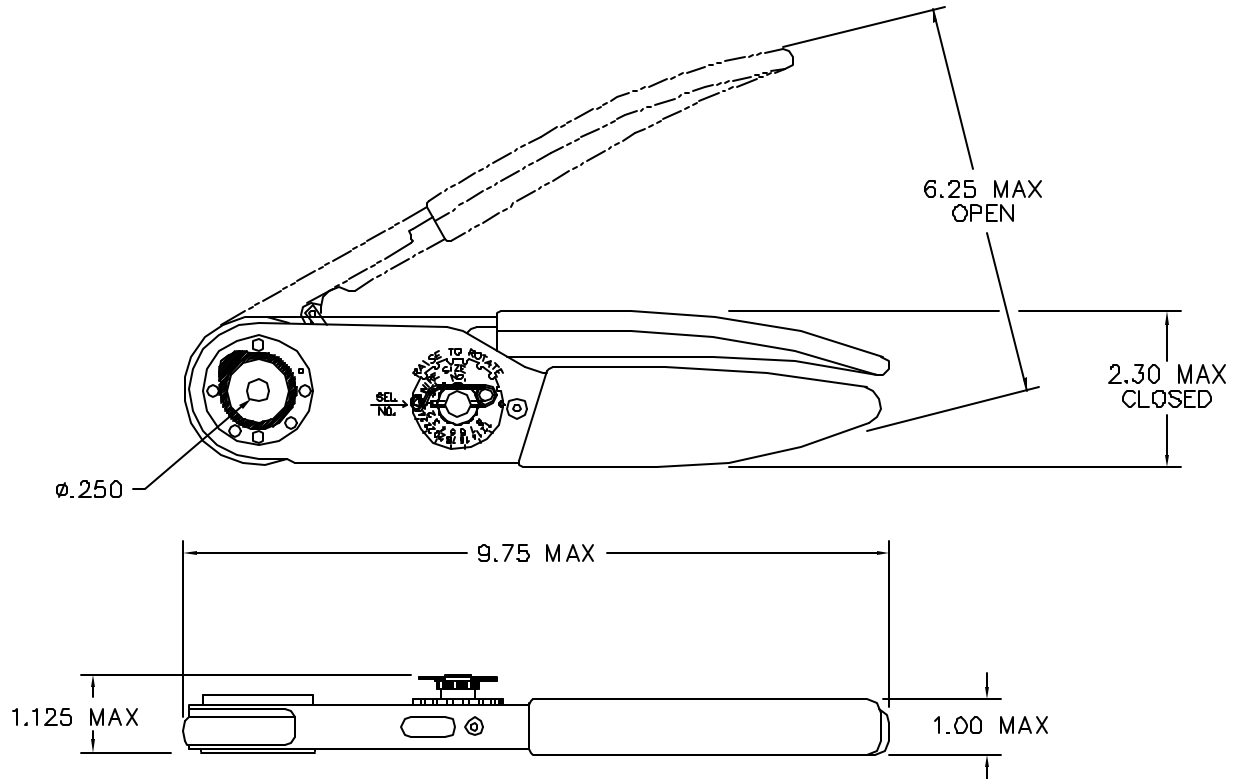


| REVISIONS | | | | |
|-----------|---------------|------------------|------------------------|----------------|
| REV. SYM. | E.C.O. NUMBER | DESCRIPTION | BY DATE | APP'D DATE |
| 1 | | ORIGINAL RELEASE | A.MOO-YOUNG 1-14-00 | RRR 1-14-00 |



| GAGING LIMITS OF INDENTERS | | |
|----------------------------|-----------------|------------------|
| SELECTOR NUMBER | GAGE-INSPECTION | |
| | ±.0001 GO DIA | ±.0001 NO GO DIA |
| 1 | .0280 | .0330 |
| 2 | .0320 | .0370 |
| 3 | .0360 | .0410 |
| 4 | .0390 | .0440 |
| 5 | .0450 | .0500 |
| 6 | .0520 | .0570 |
| 7 | .0590 | .0640 |
| 8 | .0680 | .0730 |


USE GAGE P/N G125 AT SELECTOR NUMBER 4.

**UNCONTROLLED DOCUMENT
WILL NOT BE UPDATED**

RESTRICTED & CONFIDENTIAL

CONFIDENTIAL PROPERTY OF DANIELS MANUFACTURING CORP. NOT TO BE DISCLOSED TO OTHERS, REPRODUCED OR USED FOR ANY OTHER PURPOSE, EXCEPT AS AUTHORIZED IN WRITING BY DANIELS MANUFACTURING. MUST BE RETURNED TO DANIELS MANUFACTURING CORP. ON COMPLETION OF ORDER OR OTHER PURPOSE FOR WHICH SENT.

DO NOT SCALE DRAWING

| ITEM | PART NO. | QTY. | DESCRIPTION/REMARKS |
|-------------|----------------|------------------------|--|
| DRN | A.MOO-YOUNG | DATE 1-14-00 |  DANIELS MANUFACTURING CORP. ORLANDO, FLORIDA FSCM 11851 |
| CHK'D. | RRR | DATE 1-14-00 | |
| APP'D. | | DATE | |
| APP'D. | | DATE | |
| | | | TITLE ENVELOPE DRAWING FT8 CRIMP TOOL |
| WHERE USED: | | | |
| SIZE B | SCALE NTS | CAD FILE NO FT8-ENV | SHEET OF 1 1 |
| POSTING | P/N FT8-ENV | REV. 1 | |