

CREATE PART NUMBER BACC63BN BAYONET (ANODIZED PLATING ONLY)

1	2A	3	2B	4	5	6
BACC63BN	20	-	41	P	6	H
SHELL STYLE	SHELL SIZE	CABLE CLAMP	LAYOUT	CONTACT	KEYING	MODIFIER

WHEN CHOOSING LAYOUT: First Number = Step 2A – Shell Size, Dash = Step 3 – Coupling Style, Second Number = 2B – Layout

STEP 1: SELECT SHELL STYLE, PLUG OR RECEPTACLE

RECEPTACLES

Mates with

PLUGS



BACC45FN

Wall Mount Square Flange
(See BACC45FN Create Your Part Number)



BACC63CC

Wall Mount Square Flange
(See BACC63CC Create Your Part Number)



BACC63BN

Plug (Anodized Plating Only)



MS24264R

Wall Mount with Rear Accessory Threads.
(See Military Create Your Part Number)



MS24265R

Jam Nut with Rear Accessory Threads
(See Military Create Your Part Number)

STEP 3: SELECT CABLE CLAMP

- = No Cable Clamp

B = MS27559 Right Angle Saddle Clamp

C = MS27291 Straight Saddle Clamp

STEP 2: SELECT LAYOUT

LAYOUT NUMBER	SERVICE RATING	CONTACTS			
		TOTAL NUMBER	20	16	12 (2)
8-2	I	2	2		
8-3	I	3	3		
10-2A	I	2	2		
10-5	I	5	5		
10-20	I	2		2	
12-3	I	3		3	
12-12	I	12	12		
14-4	I	4			4**
14-7	I	7		7	
14-12	I	12	9	3	
14-15	I	15	15		
16-10	I	10		10	
16-24	I	24	24		
18-8	I	8			8**
18-14	I	14		14	
18-31	I	31	31		
20-16	I	16		16	
20-25	I	25	19		6**
20-28	I	28	24		4**
20-39	I	39	37	2	
20-41	I	41	41		
22-12	I	12			12**
22-19	I	19		19	
22-32	I	32	26		6**
22-55	I	55	55		
24-43	I	43	23	20	
24-61	I	61	61		

** Power Contact supplied, can be interchanged with Shielded contact (Boeing Size) Reference

STEP 4: CHOOSE CONTACT

P = Pin

S = Socket

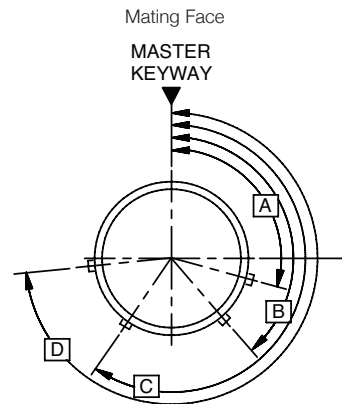
STEP 5: SELECT KEYING

N = Normal Standard
6 = Highly-Popular
7 = Limited Availability

8 = Check for Availability
9 = Check for Availability
10 = Check for Availability

SHELL SIZE	POLARIZATION	A	B	C	D
8 AND 10	NORMAL	105°	140°	215°	265°
	6	102°	132°	248°	320°
	7	80°	118°	230°	312°
	8	35°	140°	205°	275°
	9	64°	155°	234°	304°
10	10	25°	115°	220°	270°

SHELL SIZE	POLARIZATION	A	B	C	D
12 THRU 24	NORMAL	105°	140°	215°	265°
	6	18°	132°	248°	320°
	7	92°	118°	230°	312°
	8	84°	140°	205°	275°
	9	24°	155°	234°	304°
	10	98°	115°	220°	270°



STEP 6: CHOOSE MODIFIER

H = Without contacts and Seal Plugs
Note: H is not marked on part

Blank = Without contacts and Seal Plugs