

CREATE PART NUMBER BACC45FN & FT BAYONET

1	2A	3	2B	4	5	6
BACC45FN	20	-	41	S	6	H
SHELL STYLE	SHELL SIZE	CABLE CLAMP	LAYOUT	CONTACT	KEYING	MODIFIER

WHEN CHOOSING LAYOUT: First Number = Step 2A – Shell Size, Dash = Step 3 – Coupling Style, Second Number = 2B – Layout

STEP 1: SELECT SHELL STYLE, PLUG OR RECEPTACLE

RECEPTACLES

Mates with

PLUGS



BACC45FN

Wall Mount Square Flange



BACC45FT

Plug

STEP 2: SELECT LAYOUT

LAYOUT NUMBER	SERVICE RATING	CONTACTS				
		TOTAL NUMBER	20	16	12 (2)	8 (1)
8-2	I	2	2			
8-3	I	3	3			
10-2A	I	2	2			
10-5	I	5	5			
10-20	I	2		2		
12-3	I	3		3		
12-12	I	12	12			
14-3	I	3		2		1*
14-4	I	4			4**	
14-7	I	7		7		
14-12	I	12	9	3		
14-15	I	15	15			
16-10	I	10		10		
16-24	I	24	24			
18-8	I	8			8**	
18-11	I	11		10		1*
18-14	I	14		14		
18-31	I	31	31			
20-16	I	16		16		
20-25	I	25	19		6**	
20-28	I	28	24		4**	
20-39	I	39	37	2		
20-41	I	41	41			
22-12	I	12			12**	
22-19	I	19		19		
22-32	I	32	26		6**	
22-55	I	55	55			
24-43	I	43	23	20		
24-57	I	57	55		2**	
24-61	I	61	61			

* Shielded Contact

** Power Contact supplied, can be interchanged with Shielded contact

(Boeing Size) Reference

STEP 3: SELECT CABLE CLAMP

- = No Cable Clamp

A = BACC10GH Straight Single Leg Clamp

B = MS27559 Right Angle Saddle Clamp

C = MS27291 Straight Saddle Clamp

D = BACC10JC Right Angle Single Leg Clamp

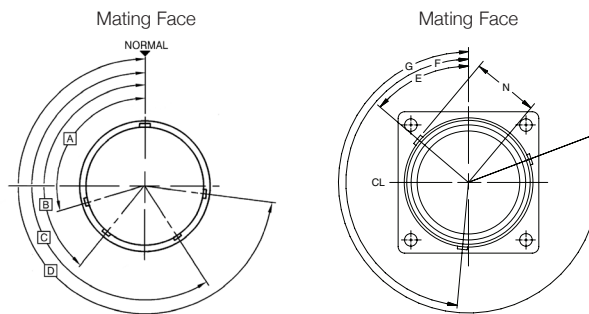
E = BACC10JS Straight Single Leg Composite Clamp

STEP 4: SELECT CONTACT

P = Pin

S = Socket

STEP 5: SELECT KEYING



N = Normal Standard
6 = Highly-Popular
7 = Limited Availability

8 = Check for Availability
9 = Check for Availability
10 = Check for Availability

SHELL SIZE	POLARIZATION	A	B	C	D	BAYONET PIN LOCATION		
						E	F	G
8 AND 10	NORMAL	105°	140°	215°	265°	60°	180°	300°
	6	102°	132°	248°	320°	46°	166°	286°
	7	80°	118°	230°	312°	46°	166°	286°
	8	35°	140°	205°	275°	60°	180°	300°
	9	64°	155°	234°	304°	89°	209°	329°
10	10	25°	115°	220°	270°	60°	180°	300°

SHELL SIZE	POLARIZATION	A	B	C	D	BAYONET PIN LOCATION		
						E	F	G
12 THRU 24	NORMAL	105°	140°	215°	265°	50°	170°	290°
	6	18°	149°	192°	259°			
	7	92°	152°	222°	342°			
	8	84°	152°	204°	334°			
	9	24°	135°	199°	240°			
	10	98°	152°	268°	338°			

STEP 6: SELECT MODIFIER

H = Without contacts and Seal Plugs

Note: H is not marked on part

Blank = Without contacts and Seal Plugs