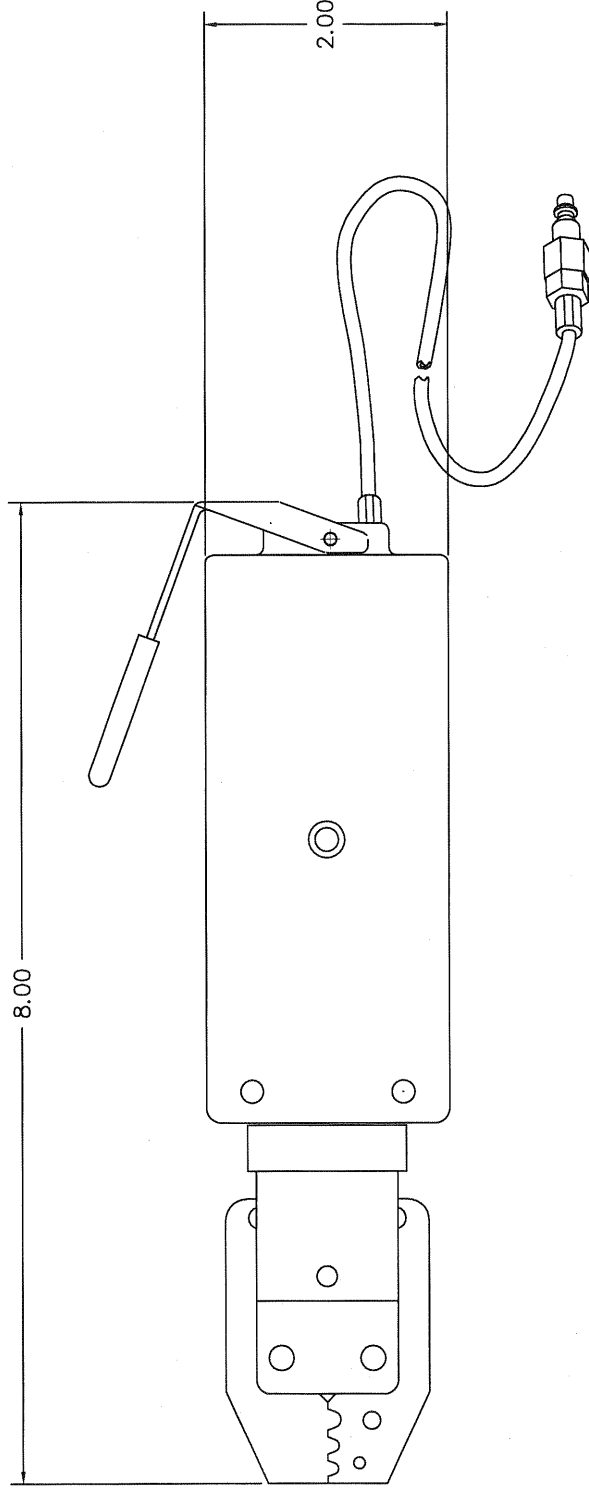


REVISIONS

REV. SYM.	E.C.O. NUMBER	DESCRIPTION	BY DATE	APP'D DATE
1		ORIGINAL RELEASE	K. KOONS 12/13/00	RRR 12/13/00
2		ADDED NOTE 1	JNU 4/4/01	RRR 4/4/01



**UNCONTROLLED DOCUMENT
WILL NOT BE UPDATED**

1. PNEUMATIC CRIMP TOOL FUNCTIONALLY EQUIVALENT TO DMC GMT232 HAND CRIMP TOOL.

NOTES:

RESTRICTED & CONFIDENTIAL CONFIDENTIAL PROPERTY OF DANIELS MANUFACTURING CORP. NO DISCLOSURE OR REPRODUCTION OR USE FOR ANY OTHER PURPOSE EXCEPT AS AUTHORIZED IN WRITING BY DANIELS MANUFACTURING CORP. ON COMPLETION OF ORDER OR OTHER PURPOSE FOR WHICH LENT.		MATERIAL	ITEM	PART NO.	QTY.	DESCRIPTION/REMARKS
DO NOT SCALE DRAWING		HEAT TREAT	DRN. K. KOONS CHK'D. RRR APP'D. JNU	DATE 12/13/00 DATE 12/13/00 DATE		DMC DANIELS MANUFACTURING CORP. ORLANDO, FLORIDA CAGE 11661
		FINISH	NOTE: THIS DRAWING IS AN OUTLINE DRAWING OF THE RESPECTIVE DMC PART NUMBER INDICATED. THE ACTUAL DMC PART NUMBER WITHOUT THE "-ENV" SUFFIX.			TITLE PNEUMATIC CRIMP TOOL ENVELOPE DRAWING
			WHERE USED: SIZE B SCALE NTS POSTING			CAD P/N PMT232-ENV
			SHEET 1 OF 1			DWG. NO. PMT232-ENV
			REV. 2			