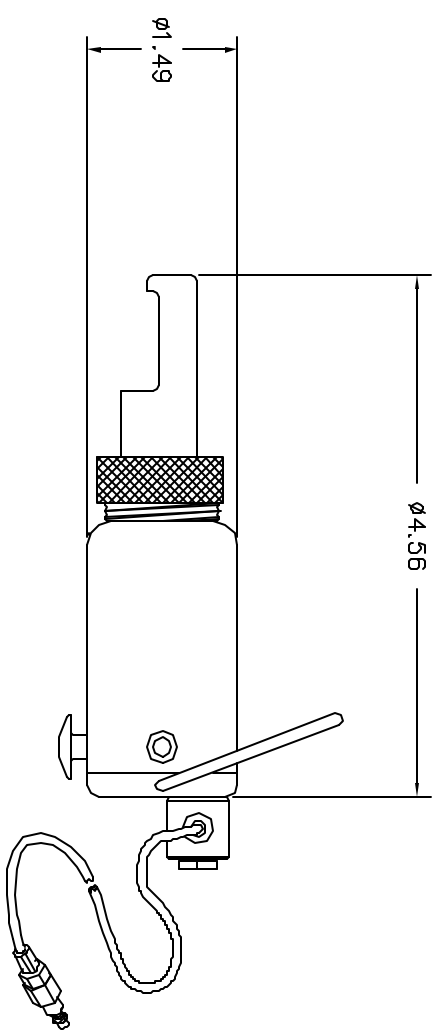


REVISIONS				
REV. NO.	E.C.D. NUMBER	DESCRIPTION	BY DATE	APPR'D DATE
1		ORIGINAL RELEASE	JMC 11-20-89	JWJ 11-20-89



**UNCONTROLLED DOCUMENT
WILL NOT BE UPDATED**

RESTRICTED & CONFIDENTIAL		MATERIAL		ITEM		PART NO.		QTY.		DESCRIPTION/REMARKS	
CONFIDENTIAL PROPERTY OF DANIELS MANUFACTURING CORP. THIS DRAWING IS NOT TO BE DISCLOSED TO OTHERS, REPRODUCED OR USED FOR ANY OTHER PURPOSE, EXCEPT AS AUTHORIZED IN WRITING BY DANIELS MANUFACTURING. MUST BE RETURNED TO DANIELS MANUFACTURING CORP. ON COMPLETION OF ORDER OR OTHER PURPOSE FOR WHICH INT.		HEAT TREAT		DRN. JMC		DATE 11-20-89				DMC DANIELS MANUFACTURING CORP. ORLANDO, FLORIDA CASE 11851	
		FINISH		CHK'D. JWJ		DATE 11-20-89					
DO NOT SCALE DRAWING				APPR'D.		DATE		TITLE		WHERE USED:	
								STANDARD SKIN CLAMP TOOL		PSC201-ENV	
								SIZE B		SHEET 1 OF 1	
								SCALE NTS		REV. 1	
								POSTING		P/N PSC201-ENV	