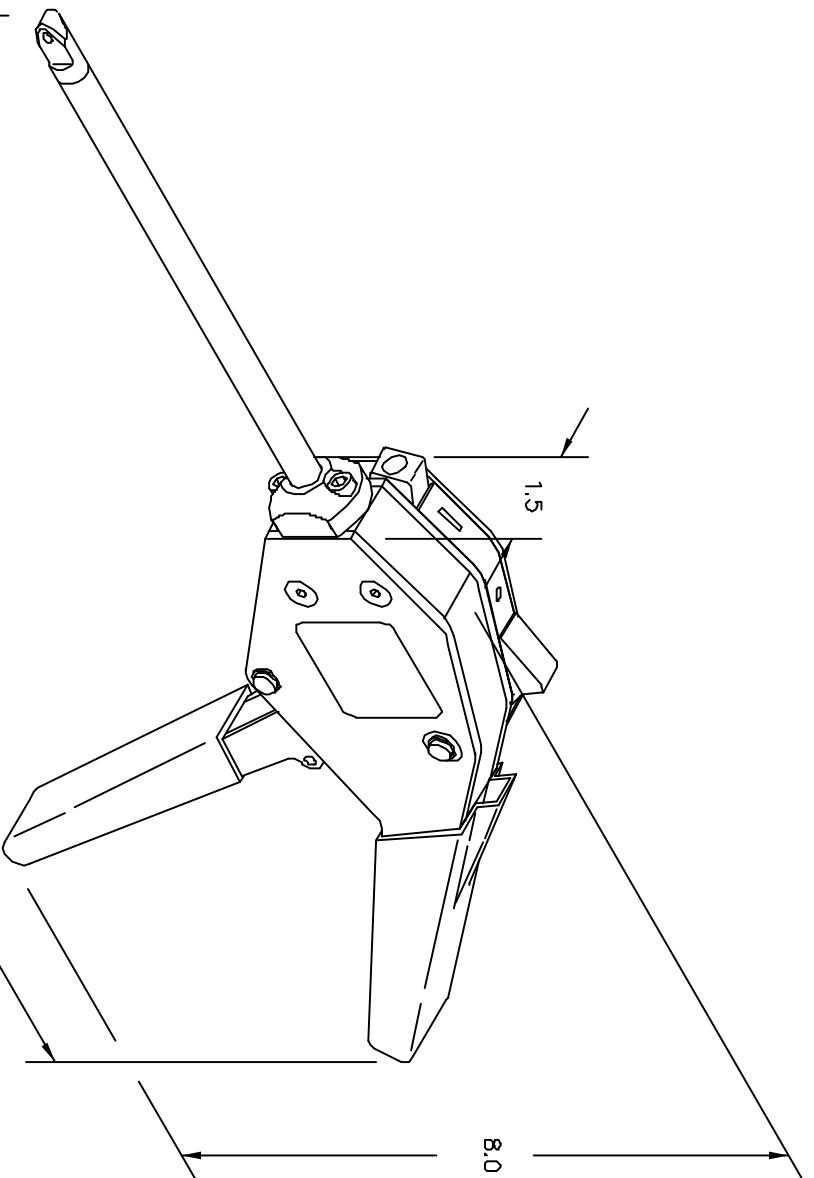


REVISION		REV.	DATE	APPROV.
NO.	DESCRIPTION	NO.	DATE	DATE
1	ORIGINAL RELEASE	10/21/01	11/09/04	



**UNCONTROLLED DOCUMENT
WILL NOT BE UPDATED**

RESTRICTED & CONFIDENTIAL ORIGINAL PROPERTY OF DANIEL'S MANUFACTURING CORP. NOT TO BE REPRODUCED OR TRANSMITTED IN ANY FORM OR BY ANY MEANS, ELECTRONIC OR MECHANICAL, WITHOUT THE WRITTEN PERMISSION OF DANIEL'S MANUFACTURING CORP. IN COMPLETE OR PARTIAL MANNER.		ITEM		PART NO.		QTY.		DESCRIPTION/REMARKS	
		DATE	REV.	DATE	REV.	DATE	REV.	DATE	REV.
MATERIAL		HEAT TREAT		PART NO.		DATE		TITLE	
RMBH								SAFE-T-CABLE APPLICATION TOOL, .032 7" NOSE ENVELOPE DRAWING	
DO NOT SCALE DRAWING		DATE		DATE		DATE		DATE	
		SCALE		SCALE		SCALE		SCALE	
		1:1		1:1		1:1		1:1	
		SHEET		SHEET		SHEET		SHEET	
		1		1		1		1	
		REV.		REV.		REV.		REV.	
		1		1		1		1	