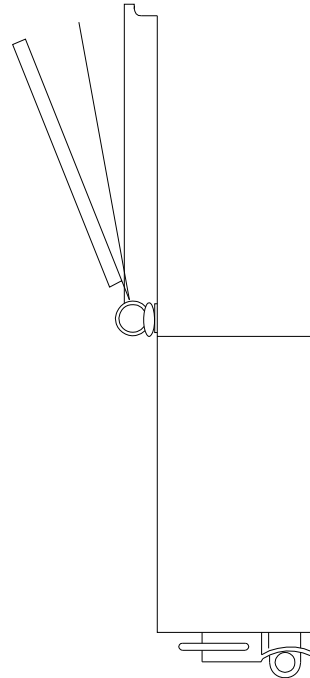
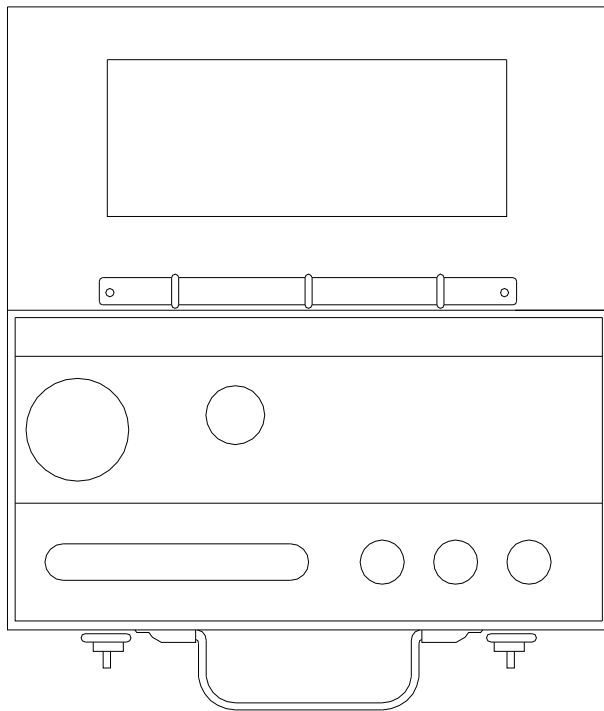


DMC726 – EQUIVALENT TO PYLE NATIONAL TP-201411-AG

DESCRIPTION: The DMC726 is designed to crimp Star-Line Series (Pyle National) pins and sockets. The hand tool and three (3) associated Single Position Heads will crimp pins and sockets size 18-16-12-10, with wire range of 10-22 AWG.



PARTS LIST

PART NUMBER	QUANTITY	DESCRIPTION
M300-25A	1	CRIMP TOOL (EQUIVALENT TO TP-201411-TO)
TP682-1	1	SINGLE POS. HEAD-EQUIVALENT TO TP-201411-16-18
TP683-1	1	SINGLE POS. HEAD-EQUIVALENT TO TP-201411-12P
TP684-1	1	SINGLE POS. HEAD-EQUIVALENT TO TP-201411-10-12
G115-1	1	GAGE