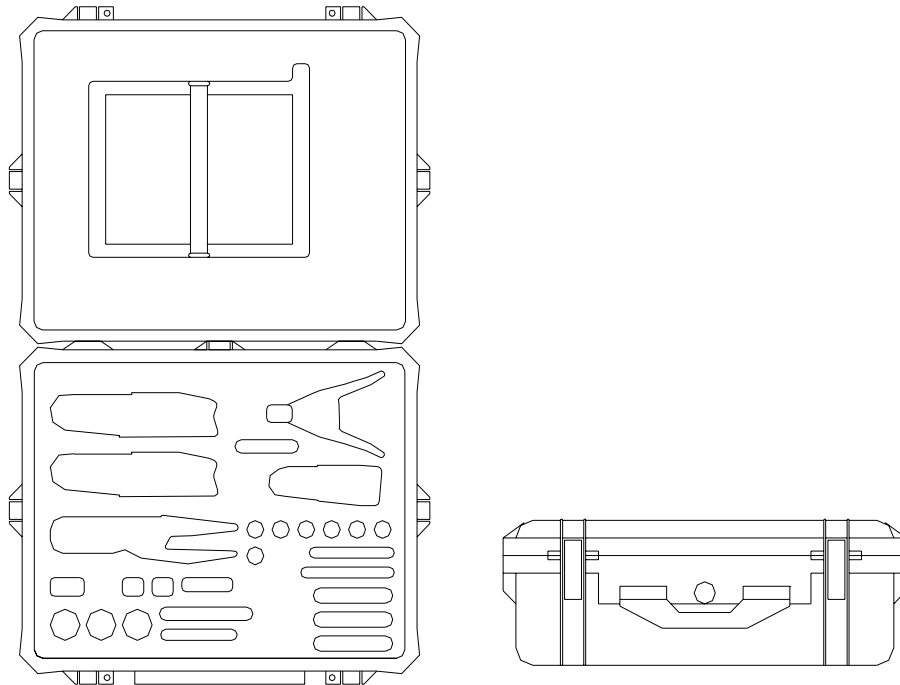


DMC1833

DESCRIPTION: The DMC1833 is for Flight Line use on certain connectors in the wiring system of the F-15 Eagle. The tools are packaged in a durable Polypropylene Copolymer carrying case that has foam pads and inserts, Tool Instruction Sheets and Tool-to-Connector Cross Reference Charts.



PARTS LIST

PARTNUMBER	QUANTITY	DESCRIPTION
	4	CRIMPING TOOLS
	4	DIE SETS
	1	SINGLE POSITION HEAD
	7	POSITIONERS
	2	TURRET HEADS
	2	INSTALLING TOOLS
	2	REMOVAL TOOLS
	1	HEX WRENCH
	1	DIE REMOVAL TOOL
	1	WIRE STRIPPER