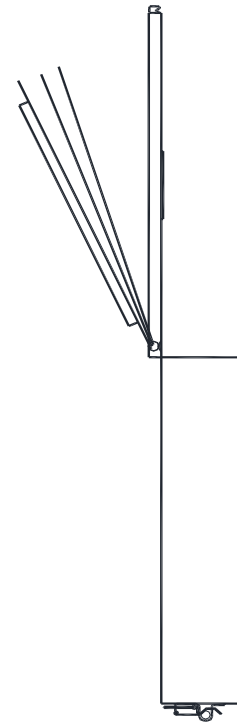
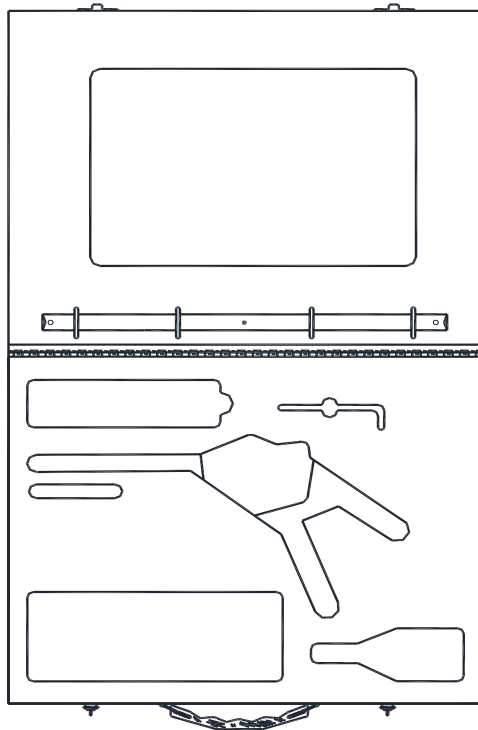


DMC1483 SAFETY CABLE KIT

DESCRIPTION: Safety Cable Tool Kit for .032" cable. This tool kit is contained in a metal case with foam inserts that have contoured tool cavities, laminated instruction sheets that are permanently attached on a ring binder, and a contents chart that identifies the location of each tool.



PART NUMBER	QUANTITY	DESCRIPTION
SCT323	1	SAFE-T-CABLE TOOL WITH 3" NOSE ATTACHED
C10-212	100	SAFETY CABLE .032 x 12"
SCT-TB1	1	SAFETY CABLE TORQUE VERIFICATION BLOCK
4-1501	1	9/64" HEX WRENCH
45-6N	1	DIAGONAL CUTTER/GRIPPER
SCT32084	1	SPANNER TOOL

DANIELS MANUFACTURING CORP., 526 THORPE ROAD, ORLANDO, FL 32824, USA
 PHONE (407) 855-6161 • FAX (407) 855-6884 • WWW.DMCTOOLS.COM • E-MAIL: DMC@DMCTOOLS.COM